

STEREO TURNTABLE PF-50/P-27

SERVICE MANUAL

IMPORTANT NOTICE

This manual has been provided for the use of authorized Yamaha Retailers and their service personnel. It has been assumed that basic service procedures inherent to the industry, and more specifically Yamaha Products, are already known and understood by the users, and have therefore not been restated.

WARNING: Failure to follow appropriate service and safety procedures when servicing this product may result in personal injury, destruction of expensive components and failure of the product to perform as specified. For these reasons, we advise all Yamaha product owners that all service required should be performed by an authorized Yamaha Retailer or the appointed service representative.

IMPORTANT: The presentation or sale of this manual to any individual or firm does not constitute authorization, certification, recognition of any applicable technical capabilities, or establish a principle-agent relationship of any form.

The data provided is believed to be accurate and applicable to the unit(s) indicated on the cover. The research, engineering, and service departments of Yamaha are continually striving to improve Yamaha products. Modifications are, therefore, inevitable and changes in specification are subject to change without notice or obligation to retrofit. Should any discrepancy appear to exist, please contact the distributor's Service Division.

WARNING: Static discharges can destroy expensive components. Discharge any static electricity your body may have accumulated by grounding yourself to the ground buss in the unit (heavy gauge black wires connect to this buss).

IMPORTANT: Turn the unit OFF during disassembly and parts replacement. Recheck all work before you apply power to the unit.

CONTENTS

TO SERVICE PERSONNEL	1	MECHANICAL DESCRIPTION	6 ~ 8
PANEL CONTROLS	1	ADJUSTMENTS	9
PACKING INSTRUCTION	2	PRINTED CIRCUIT BOARD	10/11
SPECIFICATIONS	2	SCHEMATIC DIAGRAM	12 ~ 15
INTERNAL VIEW	3	PARTS LIST	16 ~ 24
DISASSEMBLY PROCEDURES	4/5		

004614

SINCE 1887



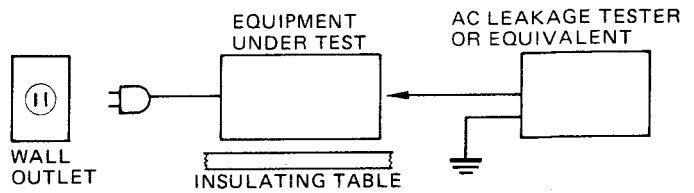
YAMAHA

NIPPON GAKKI CO., LTD. HAMAMATSU, JAPAN

2.6k-333 Printed in Japan '85.7

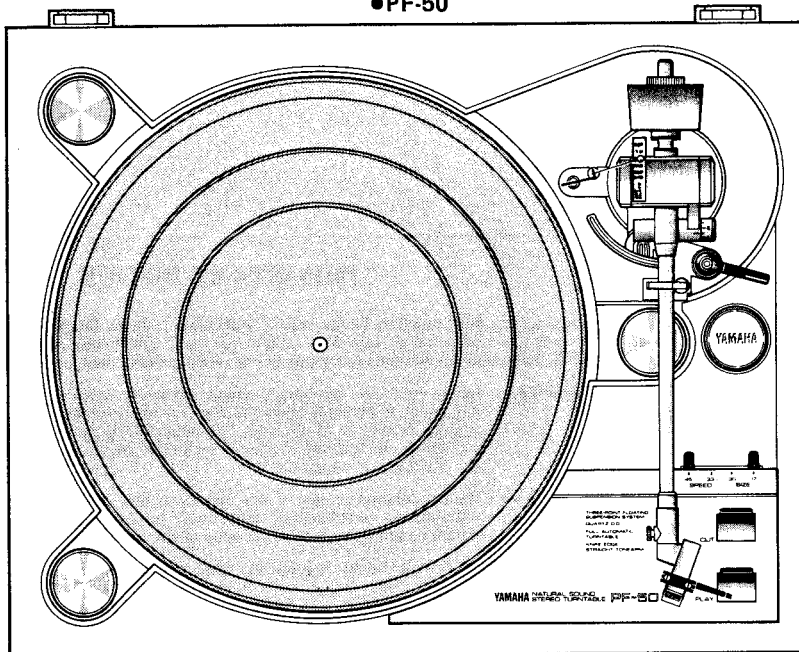
TO SERVICE PERSONNEL

1. Critical Components Information.
Components having special characteristics are marked \triangle and must be replaced with parts having specifications equal to those originally installed.
2. Leakage Current Measurement (For 120V Model Only).
When service has been completed, it is imperative that you verify that all exposed conductive surfaces are properly insulated from supply circuits.
 - Meter impedance should be equivalent to 1500 ohm shunted by $0.15\mu\text{F}$
 - Leakage current must not exceed 0.5mA.
 - Be sure to test for leakage with the AC plug in both polarities.

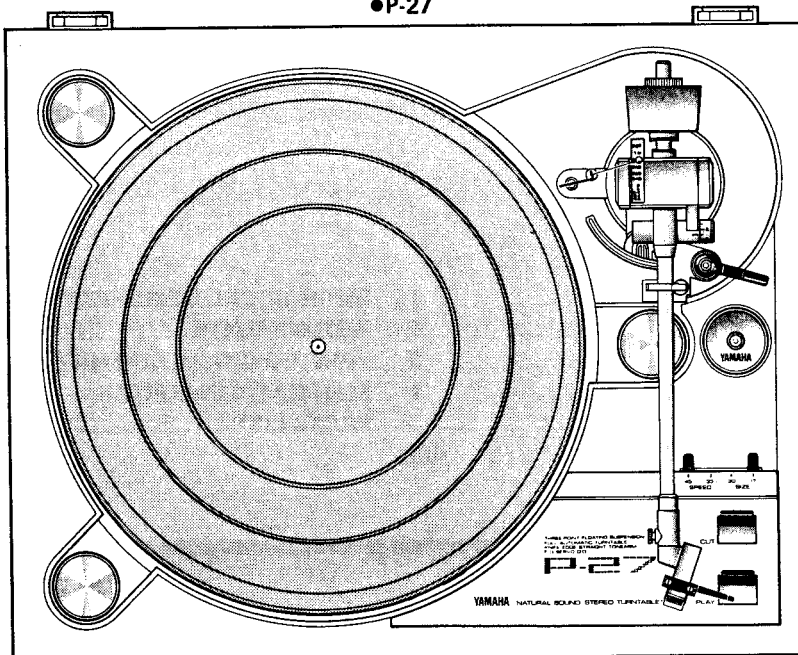


PANEL CONTROLS

●PF-50

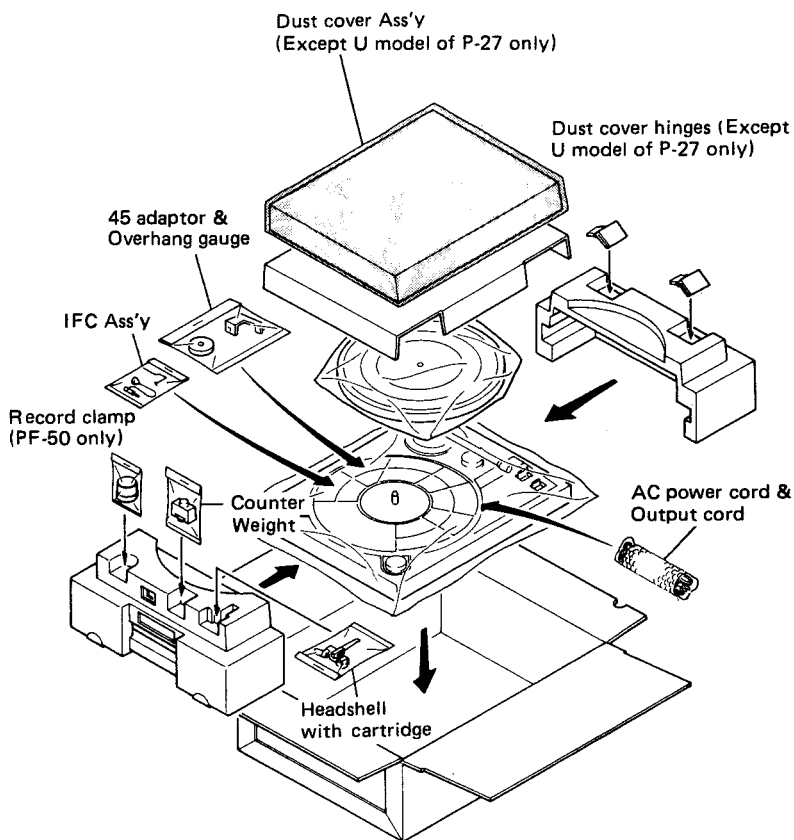


●P-27

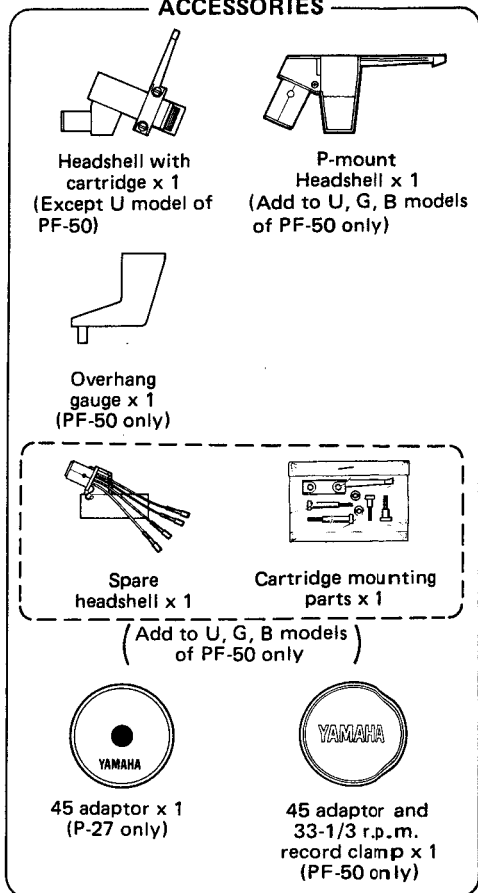


PF-50/P-27

PACKING INSTRUCTION



ACCESSORIES



SPECIFICATIONS

TURNTABLE MOTOR SECTION

Drive System	PF-50: Quartz direct drive P-27: FG Servo direct drive
Motor	8 Poles coreless DC Hall motor
Platter	29cm (11-7/16") aluminum, Weight 540g (1.2 lbs) (including rubber mat)
Turntable Moment of Inertia	70 kg-cm ² (including rubber mat)
Speed	33-1/3 & 45 r.p.m.
Signal-to-Noise Ratio	Better than 78dB (DIN-B.)
Wow and Flutter	Less than 0.015% wrms

TONEARM SECTION

Arm Type	Dynamic balance knife-edge, straight arm
Effective Length	222 mm (8-3/4")
Overhang	16 mm (5/8")
Tracking Force	Dynamic balanced, 0-2.5g, 0.1g steps
Horizontal Tracking Error	-1° to 3°
Anti-Skating	Weight string, 1-2g, 0.2g steps
Offset Angle	23°
Arm Lifter	Oil damped system
Sensitivity	Vertical 20 mg, Horizontal 30 mg
Permissible Cartridge Weight	2.5 - 9 g

Headshell	Resin, shield type Weight 3.2 g (Including Finger hook, Nuts and Screws)
-----------	---

CARTRIDGE (Except U model of PF-50)

Type	CG-7700 VM Type
Output	2.5mV (1kHz, 5 cm/sec. peak 45°)
Tracking Force	2.0g ± 0.5g
Weight	5g

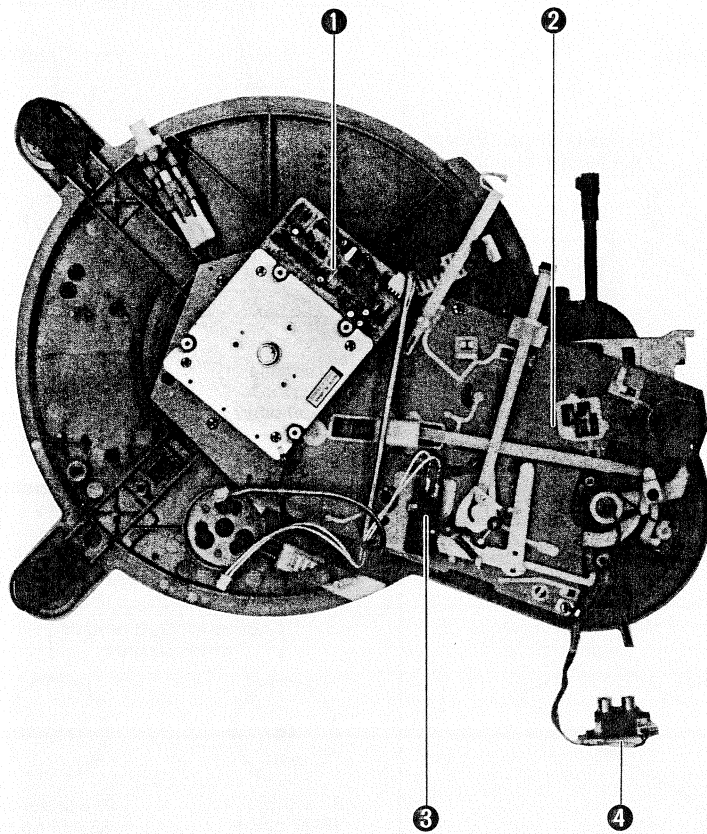
GENERAL

Power Supplies	120V AC, 60Hz (U.S.A. & Canadian models) 220V AC, 50Hz (European model) 240V AC, 50Hz (British & Australian models) 110 ~ 120V/220 ~ 240V AC, 50/60 Hz (General model)
Power Consumption	6W
Dimensions (W x H x D)	435 x 115 x 355 mm (17-1/8" x 4-1/2" x 13-5/16")
Weight	4.5 kg (9 lbs 14 oz)

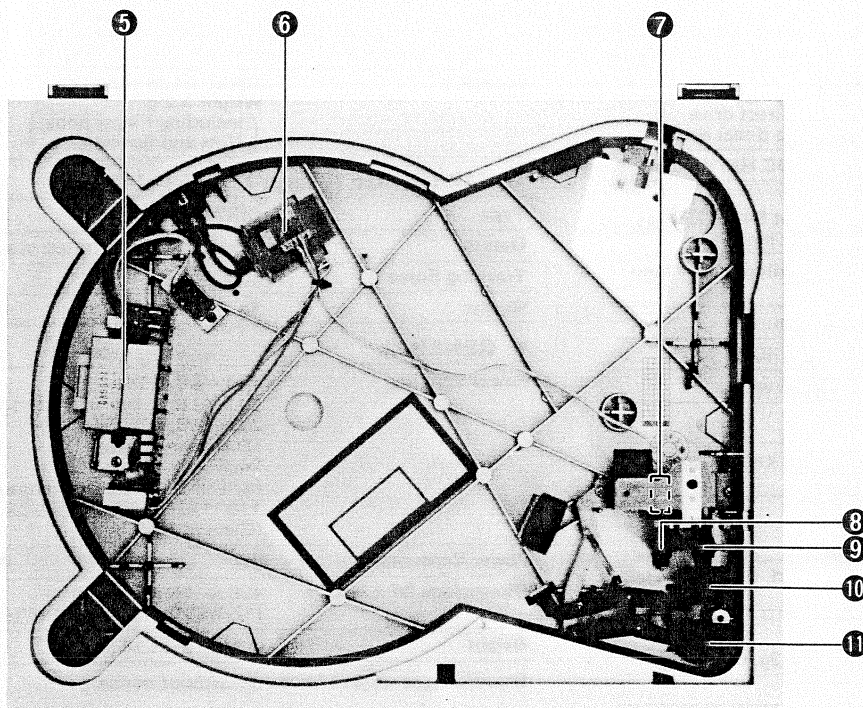
Specifications subject to change without notice.

- U : U.S.A. model
- C : Canadian model
- G : European model
- B : British model
- A : Australian model
- R : General model

INTERNAL VIEW



- ① DD MOTOR
PF-50: JC00118
P-27: JC00117
- ② FULL AUTO MECHANISM
- ③ MICRO SWITCH
- ④ PU CIRCUIT BOARD



- ⑤ POWER CIRCUIT BOARD (1)
- ⑥ POWER CIRCUIT BOARD (3)
- ⑦ POWER CIRCUIT BOARD (2)
- ⑧ 33/45 SPEED CHANGE LEVER
- ⑨ SIZE CHANGE LEVER
- ⑩ CUT LEVER
- ⑪ PLAY LEVER

DISASSEMBLY PROCEDURES

NOTES ON DISASSEMBLY

Before disassembling the unit, remove the platter and headshell with cartridge, and securely tie the arm to the arm rest with string, etc. Then gently turn the unit upside down and place it on cloth, etc. piled up on both sides to protect the arm and cabinet from damage.

1. Removal of Float Panel (A)

- a. Remove the screw cover by using a knife, etc.
*The screw cover is attached with double faced adhesive tape. Be careful not to damage it when removing it.
- b. Remove screw (①) in Fig. 1.
- c. Release 4 hooks in Fig. 1, and then remove the Switch Panel.
- d. Remove the Back Up Wire and Size Rod.
- e. Remove 2 plastic rivet (②) in Fig. 1, and Remove the Stopper Plate.
- f. Remove plastic rivet (③) in Fig. 1 and Slide Float Stopper inside.

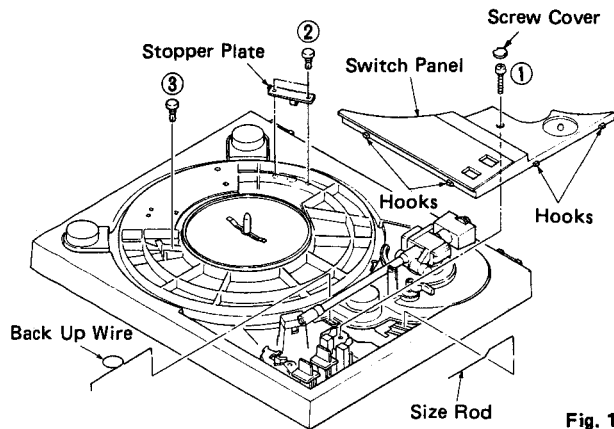


Fig. 1

- f. Remove the Float Panel (A) as shown in Fig. 2, and then detach the necessary connectors.
- g. Remove plastic rivet (④) in Fig. 2, and then remove PU Circuit Board.

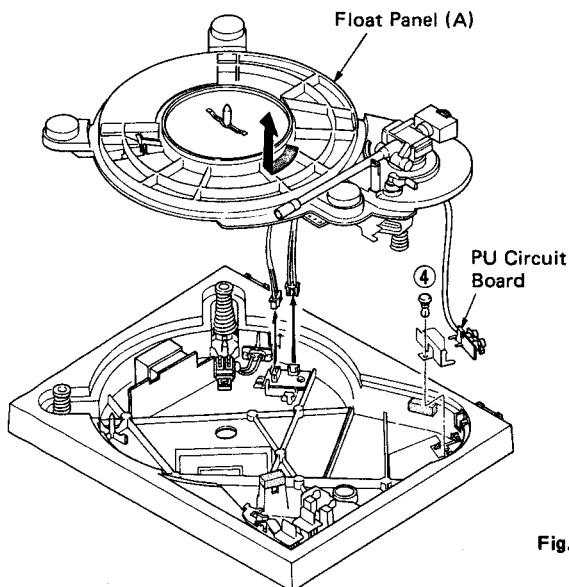


Fig. 2

2. Removal of DD Motor

- a. Remove the Earth Leaf Spring (B) in Fig. 3 and then remove the Hub (B).

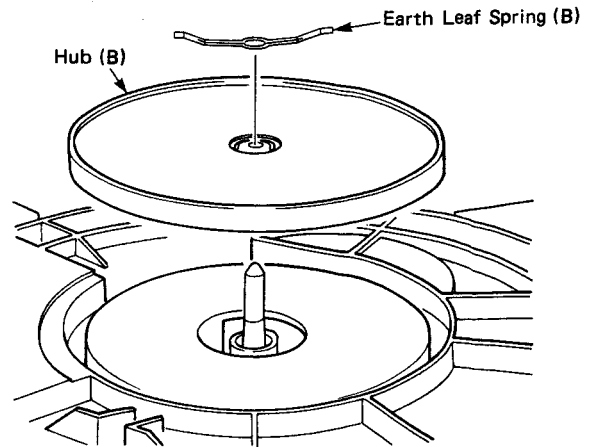


Fig. 3

- b. Disconnect the connector to the DD Motor.
- c. Remove 4 screws (⑤) in Fig. 4 and then remove the DD Motor.

*When attaching the DD Motor, you should confirm that the DD Motor is not attached above the position of boss. (Refer to Fig. 4)

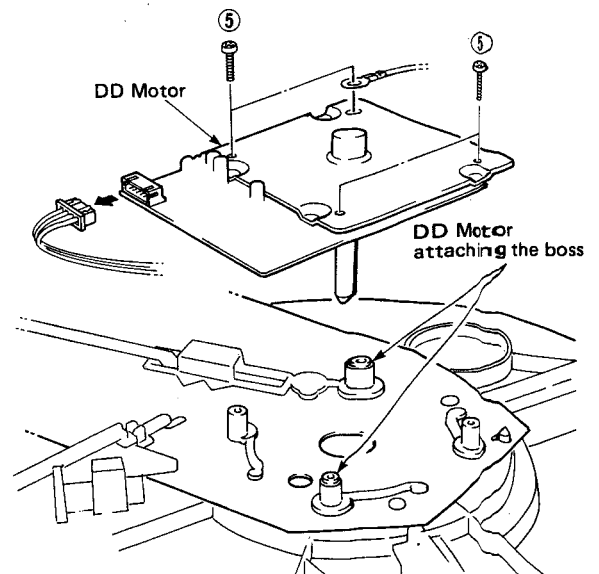


Fig. 4

3. Removal of Full Auto Mechanism

- a. Remove plastic rivet (⑥) in Fig. 5 and then remove the Return Rod.
- *Be careful not to lose the Steel Ball on the return rod.
- b. Remove the stop ring (⑦) in Fig. 5.
- c. Remove 6 screws (⑧) in Fig. 5 and then remove the Full Auto Mechanism.
- d. When mounting the Full Auto Mechanism, make sure to attach it to the Return Arm (A) Ass'y as shown in Fig. 6.

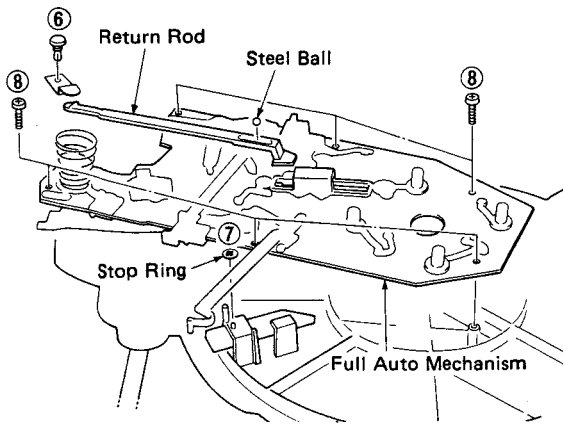


Fig. 5

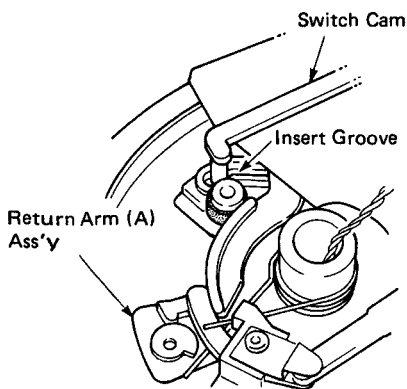


Fig. 6

4. Removal of Tonearm Unit

- a. Remove plastic rivet (⑨) in Fig. 7 and then remove the Shield Hold.
- b. Detach the connector of PU Circuit Board.
- c. Remove screw (⑩) in Fig. 7, and then remove the Ground Plate.
- d. Remove 2 screws (⑪) in Fig. 7 and then remove the Return Arm (A) Ass'y.

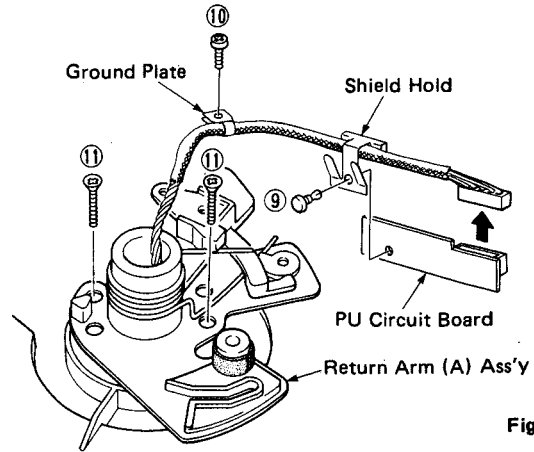


Fig. 7

- e. Remove screw (⑫) in Fig. 8 and pull out the Arm Plate in direction of the arrow, then you will be able to remove the Tonearm Unit.

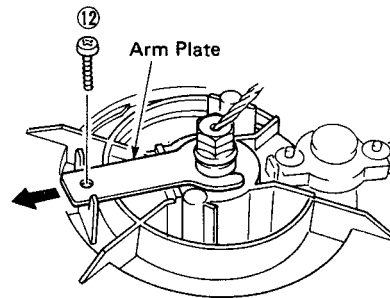
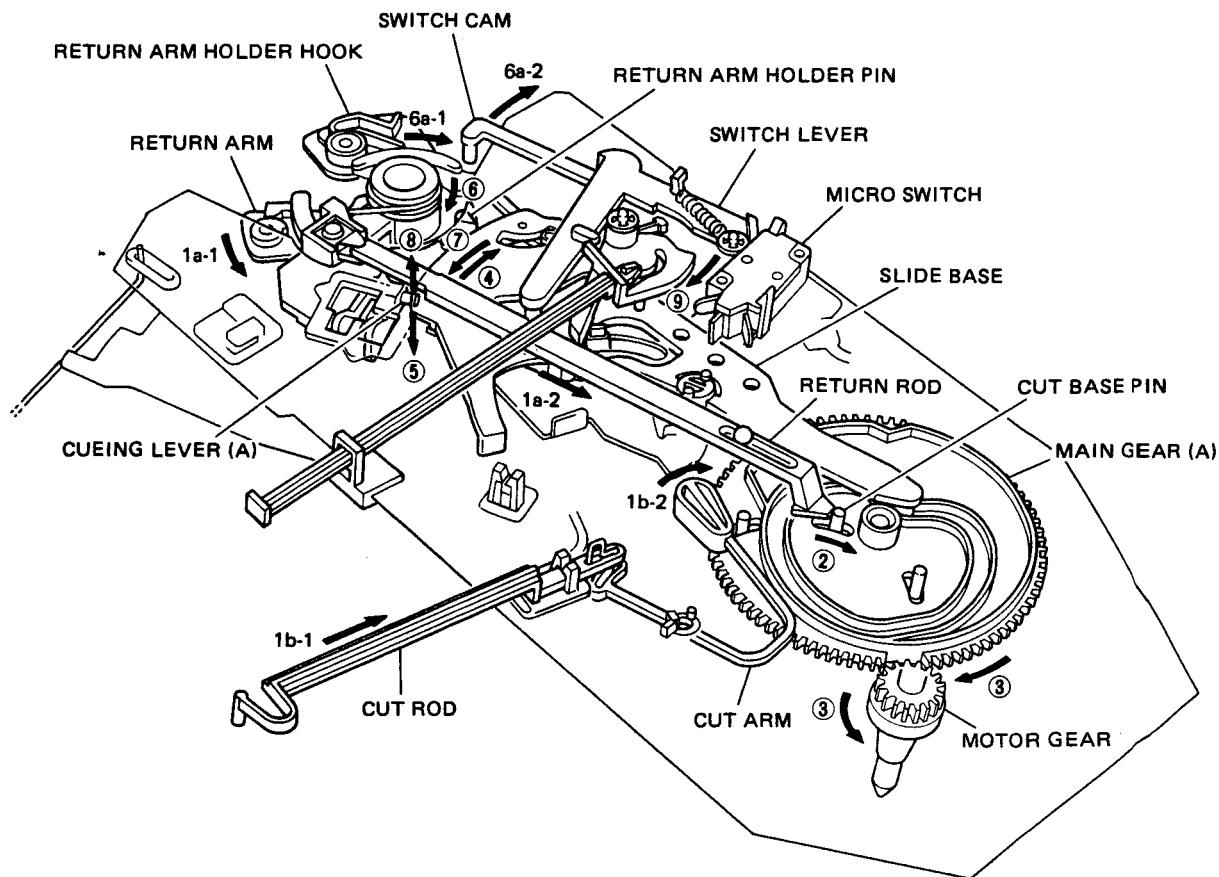
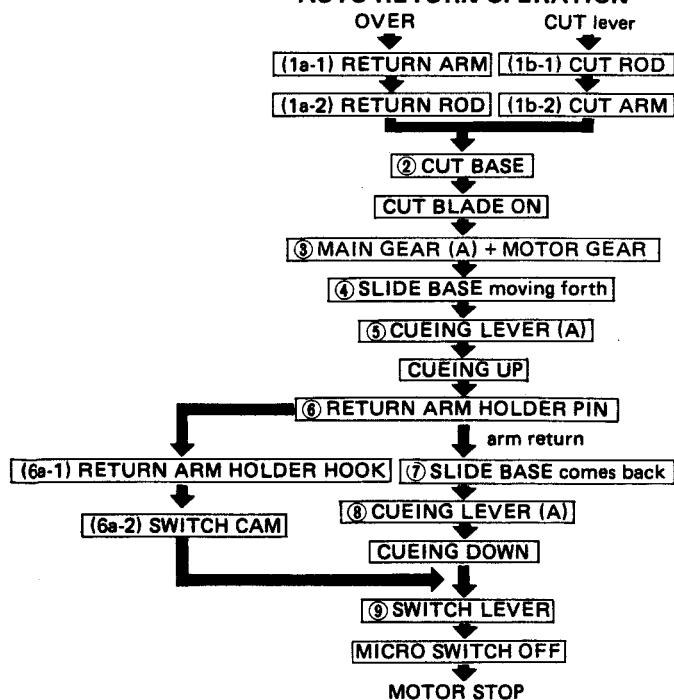


Fig. 8

AUTO RETURN OPERATION



AUTO RETURN OPERATION



1. When record play is over and the stylus moves into the lead in groove, RETURN ROD moves CUT BASE by RETURN ARM. Or when CUT lever is pressed to stop record play, CUT ARM moves CUT BASE by CUT ROD.
2. The actuation of CUT BASE causes the CUT BLADE to turn on and MOTOR GEAR and MAIN GEAR (A) engage. Thus return operation will commence.
3. When MAIN GEAR (A) rotates one turn, SLIDE BASE reciprocates once. As SLIDE BASE moves, it causes CUEING to move up by pushing the CUEING LEVER (B) and then PLAY LOCK pushes RETURN ARM PIN to bring the tonearm back to its original position. The coming back operation of SLIDE, BASE causes CUEING to move down and also it causes SWITCH LEVER to come off the MICRO-SWITCH. Thus the motor revolution stops.

ADJUSTMENTS

BEFORE ADJUSTMENT

Make sure that the following conditions are met for adjustment:

- a. Ambient temperature between 5 ~ 35°C and humidity is between 45% ~ 85%.
However, these don't always apply as long as normal operation is assured and adjustment can be performed properly.

- b. The unit is located at a place free from vibration.
- c. The place for adjustment is protected against magnetic and noise disturbance from the surroundings.

INSTRUMENTS FOR ADJUSTMENT

Test record: YTR-01 (YAMAHA) or ES-1008 (NEC)

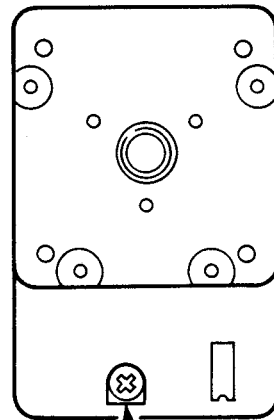
Stroboscope

Small size ⊖ driver

ADJUSTMENT OF MOTOR R.P.M. (P-27 Only)

To select the appropriate speed, turn the semi variable resistor for speed control on the motor circuit board from the bottom side of the unit until the stroboscope pattern appears to be stationary. (Adjustment should be performed for both 33 r.p.m. and 45 r.p.m.)

• P-27



VR1
33 r.p.m./45 r.p.m.
adjustment

MECHANICAL ADJUSTMENT

1. Auto lead-in operation check

Use test record and check to ensure that tonearm leads in within the rating specified below.

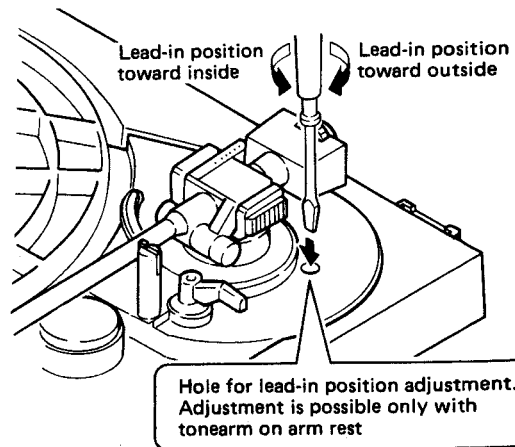
Test Record	Lead-in	Rating
YTR-01 (YAMAHA)	30	11 ± 4 count
	17	8 ± 4 count
ES-1008 (NEC)	30	19 ± 8 count
	17	22 ± 8 count

If the lead-in position does not meet the above specification, perform lead-in position adjustment as described below with tonearm placed back on arm rest.

Insert small ⊖ driver into a hole behind arm base and adjust to obtain the right lead-in position for both 30 and 17 by turning the cam in the hole.

One cam is provided for this adjustment, so lead-in position for 30 and 17 can't be adjusted individually.

* If a test record is not available, check for right automatic return operation with whatever record in use.



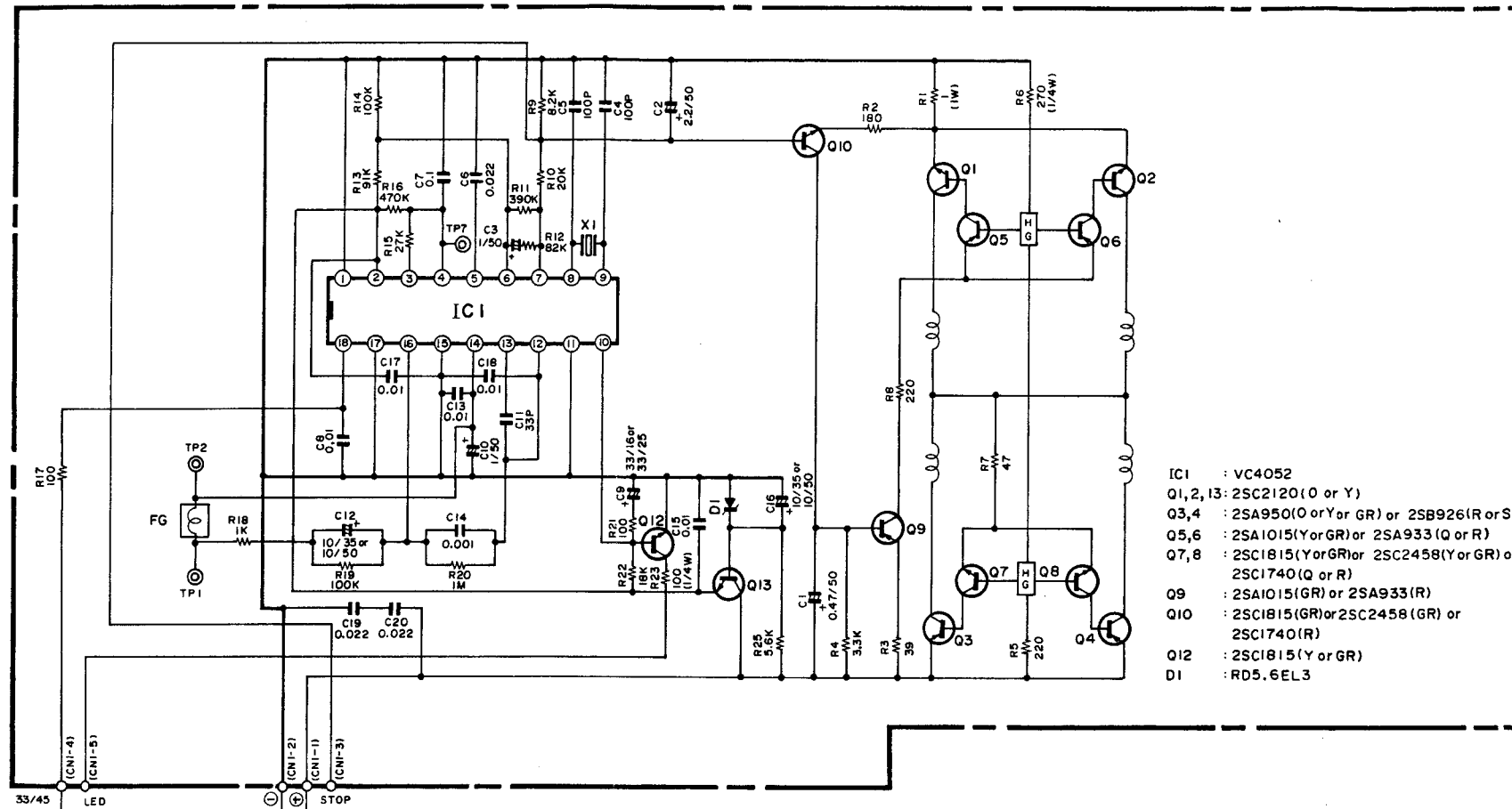
2. Auto return operation check

Check to ensure that automatic return of the tone arm functions at 17 ± 4 count in case of Face 1 ⑥ (P=3mm) and doesn't function before 26 count in case of Face 2 ④ (P=1mm) of test record (NEC: ES-1008).

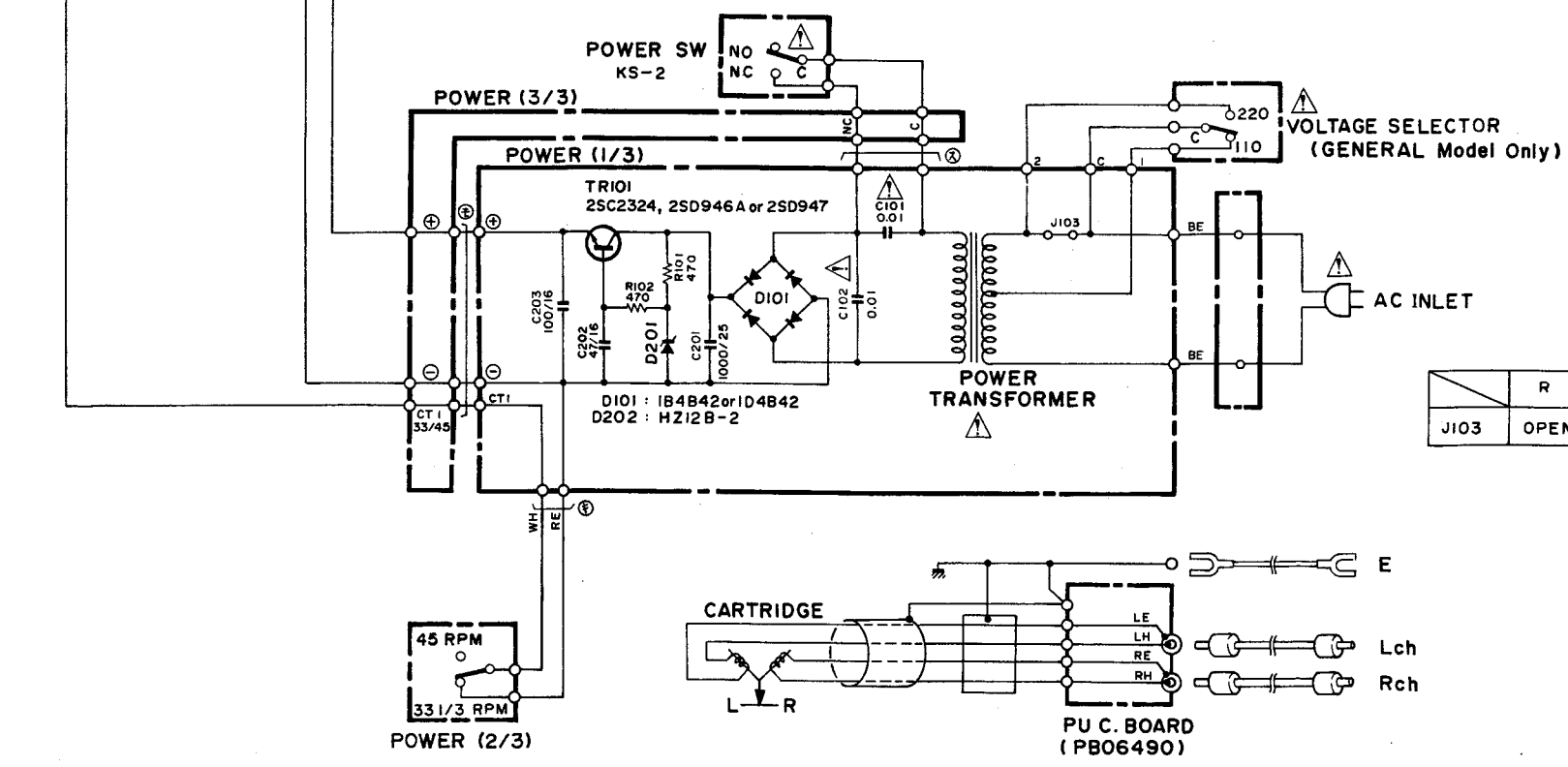
Test Record	ES-1008 (NEC)	YTR-01 (YAMAHA)
Rating	17 ± 4 count	17 ± 4 count

SCHEMATIC DIAGRAM (PF-50)

DC MOTOR (JC 00 118)

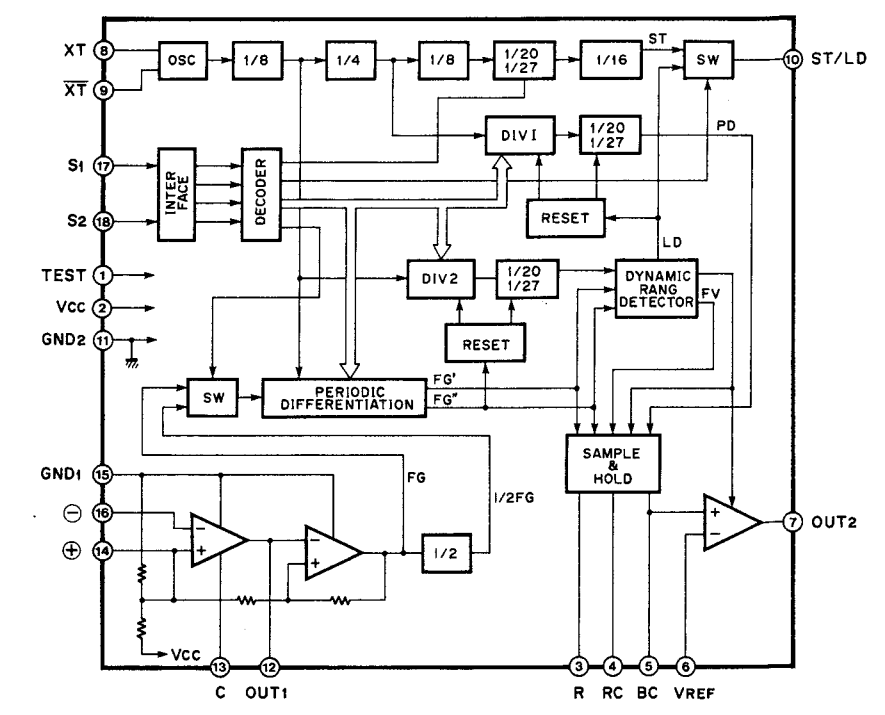


- IC1 : VC4052
- Q1,2,13: 2SC2120(O or Y)
- Q3,4 : 2SA950(O or Y or GR) or 2SB926(R or S)
- Q5,6 : 2SA1015(Y or GR) or 2SA933(Q or R)
- Q7,8 : 2SC1815(Y or GR) or 2SC2458(Y or GR) or 2SC1740(Q or R)
- Q9 : 2SA1015(GR) or 2SA933(R)
- Q10 : 2SC1815(GR) or 2SC2458(GR) or 2SC1740(R)
- Q12 : 2SC1815(Y or GR)
- D1 : RD5.6EL3



	R	J,U,C,G,AB
J103	OPEN	SHORT

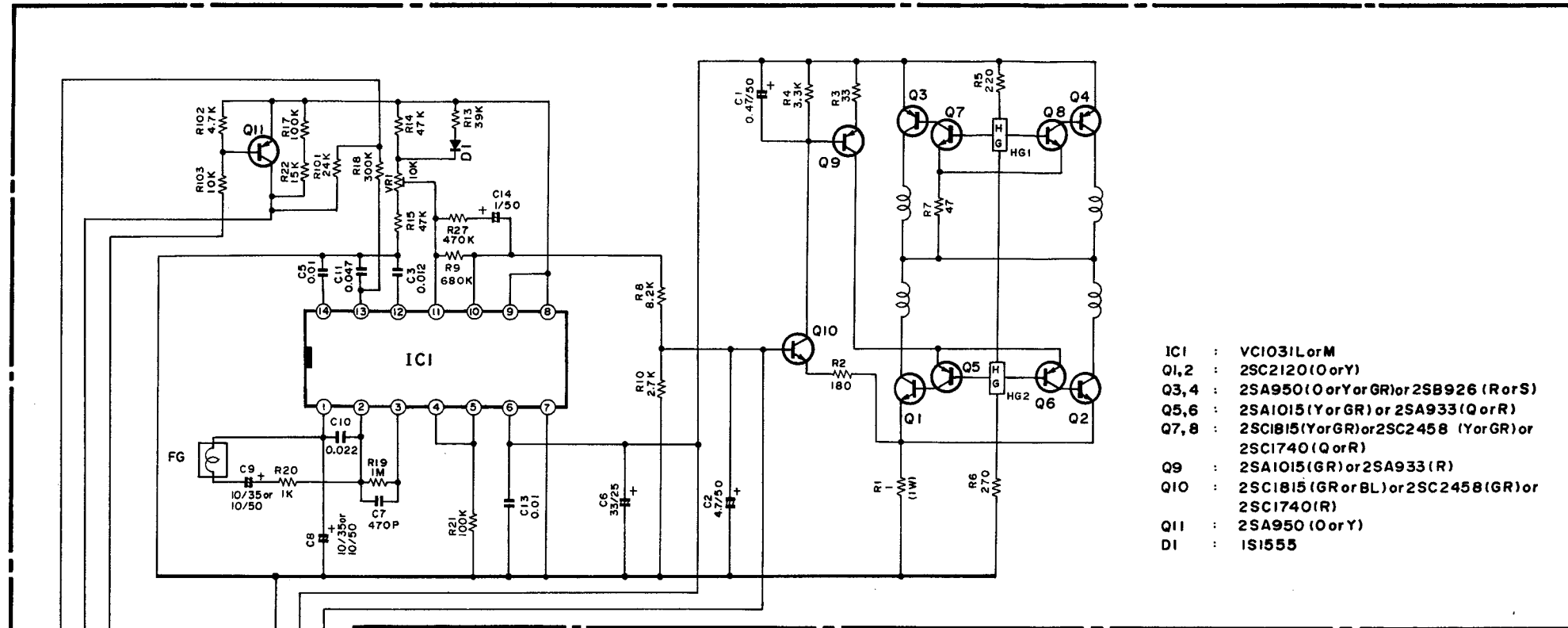
● VC4052



● Components having special characteristics are marked Δ and must be replaced with parts having specifications equal to those original/y installed.
 ● Schematic diagram is subject to change without notice.

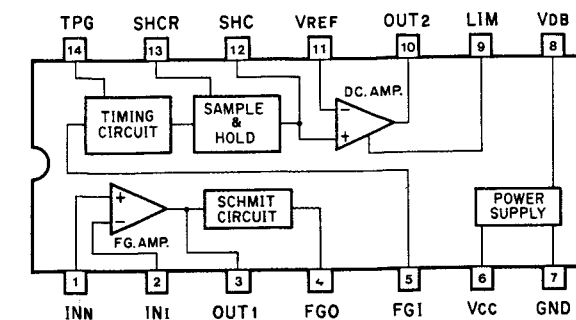
SCHEMATIC DIAGRAM (P-27)

DC MOTOR (JC00117)



- IC1 : VC1031L or M
- Q1,2 : 2SC2120 (O or Y)
- Q3,4 : 2SA950 (O or Y or GR) or 2SB926 (R or S)
- Q5,6 : 2SA1015 (Y or GR) or 2SA933 (Q or R)
- Q7,8 : 2SC1815 (Y or GR) or 2SC2458 (Y or GR) or 2SC1740 (Q or R)
- Q9 : 2SA1015 (GR) or 2SA933 (R)
- Q10 : 2SC1815 (GR or BL) or 2SC2458 (GR) or 2SC1740 (R)
- Q11 : 2SA950 (O or Y)
- D1 : 1S1555

● VC1031



POWER SW
KS-2

POWER (3/3)

POWER (1/3)

TR101
2SC2324, 2SD946A or 2SD947

D101 : 1B4B42 or 1D4B42
D202 : HZ12B-2

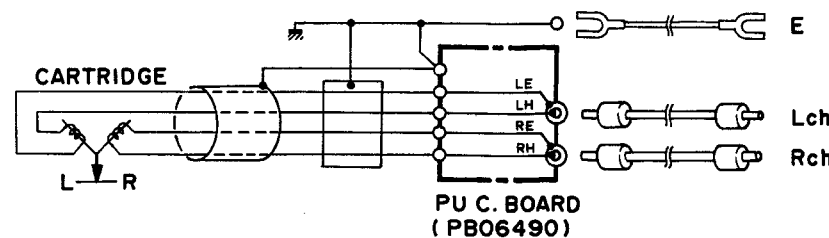
POWER TRANSFORMER

VOLTAGE SELECTOR
(GENERAL Model Only)

AC INLET

	R	J,U,C,G,AB
J103	OPEN	SHORT

33 1/3 RPM
45 RPM
POWER (2/3)



● Components having special characteristics are marked Δ and must be replaced with parts having specifications equal to those originally installed.
● Schematic diagram is subject to change without notice.

PARTS LIST

ELECTRICAL PARTS

WARNING

Components having special characteristics are marked Δ and must be replaced with parts having specifications equal to those originally installed.

• Carbon resistors of this player are 1/6W.
There is no discription about them in this parts list.
Use the "Part NO." HF85 ○○○○ or equivalent.

Ref. No.	Part No.	Description	部品名	Remarks	Common Model	Markets	ランク
*	NA 08 72 70	Power Circuit Board	パワースイッチ	PF-50		J	
*	NA 08 72 80	"	"	"		R	
*	NA 08 72 90	"	"	"		U	
*	NA 08 73 00	"	"	"		G	
*	NA 08 73 10	"	"	"		A,B	
*	NA 08 73 40	"	"	P-27		J	
*	NA 08 73 50	"	"	"		R	
*	NA 08 73 60	"	"	"		U	
*	NA 08 73 70	"	"	"		G	
*	NA 08 73 80	"	"	"		A,B	
	FG 74 41 00	Ceramic Cap.	セラコン	0.01 μ F 50V	C101,102		Δ
	UW 83 74 70	Electrolytic Cap.	ケミコン	47 μ F 16V	C202		
	UW 83 81 00	"	"	100 μ F 16V	C203		
*	UW 94 91 00	"	超小型ケミコン	1000 μ F 25V	C201		
	iC 23 24 00	Transistor	トランジスタ	2SC2324	TR101		
	iF 00 35 50	Zener Diode	ツェナーダイオード	HZ12B-2	D201		
	iH 00 14 70	Diode	ダイオードブリッジ	1B4B42	D101		
	HJ 35 54 70	Carbon Resistor	カーボン抵抗	470 Ω 1/4W	R101,102		
*	GA 68 93 00	Power Transformer	電源トランス			J	Δ
*	GA 68 94 00	"	"			R	Δ
*	GA 68 95 00	"	"			U,C	Δ
*	GA 68 96 00	"	"			G	Δ
*	GA 68 97 00	"	"			A,B	Δ
	KA 90 70 80	Leaf Switch	リーフスイッチ	SL-003			
	BA 08 13 40	Heat Sink	放熱板				
	iL 00 06 90	Sheet, Radiation of Heat	放熱シート				
	LB 91 80 30	Base Pin	I型ベース付ポスト			R	
	LB 91 80 20	"	"	B3B-XH-A			
	LA 00 51 70	Fasten Terminal	ファストン端子				
	LB 00 90 50	Houseing 2.5 Pitch	2.5Pハウジング				
	LB 10 11 30	Connector Pin	2.5ピッチコンタクトピン				
	Ei 03 00 66	Binding Head Tapping Screw	バインドタッピングネジ	PACK			

*New Parts (新規部品)

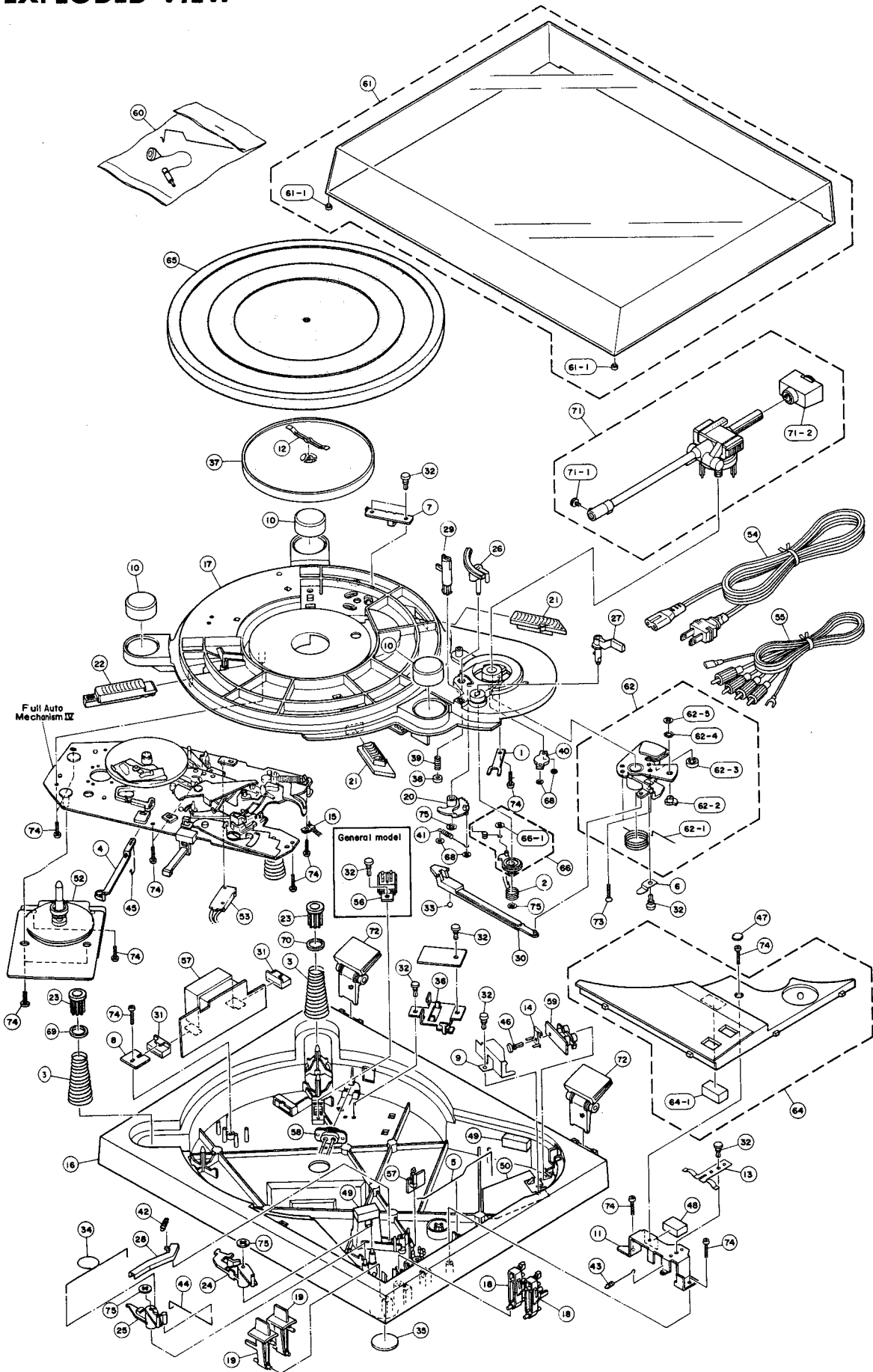
Ref. No.	Part No.	Description	部品名	Remarks	Common Model	Markets	ランク
*	JC 00 11 80	D.D.Motor	SQ09AA	D.D. モーター	PF-50		
	iX 60 35 40	IC	VC4052	IC	IC1		
	iX 60 34 50	Hall Generator	VHE-101	ホール素子	HG1,2		
	iC 21 20 00	Transistor	2SC2120 Y	トランジスタ	Q1,2,13		
	iA 09 50 10	"	2SA950 O or Y	"	Q3,4	Inter-changeable	
*	iX 60 53 50	"	2SB926 R or S	"	"	Inter-changeable	
	iA 10 15 30	"	2SA1015 Y or GR	"	Q5,6	Inter-changeable	
	iA 09 33 00	"	2SA933 Q or R	"	"	Inter-changeable	
	iC 18 15 80	"	2SC1815 Y or GR	"	Q12		
	iC 18 15 30	"	2SC1815 GR	"	Q10		
	iX 60 37 20	"	2SC2458 GR	"	"	Inter-changeable	
	iC 17 40 00	"	2SC1740 R	"	"		
	iC 18 15 80	"	2SC1815 Y or GR	"	Q7,8	Inter-changeable	
	iX 60 37 20	"	2SC2458 GR	"	"	Inter-changeable	
	iA 10 15 31	"	2SA1015 GR	"	Q9	Inter-changeable	
*	iX 60 53 60	"	2SA933 R	"	"	Inter-changeable	
	iX 60 35 50	Zener Diode	RD5.6 EL3	ツェナーダイオード	D1		
	UW 86 54 70	Electrolytic Cap.	0.47 μ F 50V	ケミコン	C1		
	UW 86 62 20	"	2.2 μ F 50V	"	C2		
	UW 86 61 00	"	1 μ F 50V	"	C3,10		
	UW 83 73 30	"	33 μ F 16V	"	C9	Inter-changeable	
	UW 84 73 30	"	33 μ F 25V	"	"	Inter-changeable	
	UW 85 71 00	"	10 μ F 35V	"	C12,16	Inter-changeable	
	UW 86 71 00	"	10 μ F 50V	"	"	Inter-changeable	
	FT 46 51 00	Polypropylene Film Cap.	0.1 μ F 50V	ポリプロコン	C7		
	Fi 19 21 00	Ceramic Cap.	100pF (CH)50V	セラコン	C4,5		
	FA 15 42 20	Mylar Cap.	0.022 μ F 50V	マイラーコン	C6		
	FG 74 41 00	Ceramic Cap.	0.01 μ F 50V	セラコン	C8,13,15,17,18		
	Fi 19 13 30	"	33pF (CH)50V	"	C11		
	FG 41 31 00	"	0.001 μ F 50V	"	C14		
	FG 24 42 20	"	0.022 μ F 50V	"	C19,20		
*	HX 60 12 50	Flame Proof Carbon Resistor	1 Ω 1W	不燃化カーボン抵抗	R1		
	HU 07 72 70	Metal Film Resistor	27k Ω	金属皮膜抵抗	R15		
	HJ 35 52 70	Carbon Resistor	270 Ω 1/4W	カーボン抵抗	R6		
	HJ 35 51 00	"	100 Ω 1/4W	"	R23		
	QX 60 00 30	Quartz Crystal Unit	5.5296MHz	クリスタル振動子	X1		

*New Parts (新規部品)

Ref. No.	Part No.	Description	部 品 名	Remarks	Common Model	Markets	ランク
※	JC 00:11:70	D.D.Motor	SS09AB	D.D. モーター	P-27		
	iX 60:34:40	IC	VC1031 LorM	I C	IC1		
	iX 60:34:50	Hall Generator	VHE-101	ホー ル 素 子	HG1,2		
	iC 21:20:00	Transistor	2SC2120 Y	ト ラ ン ジ ス タ	Q1,2		
	iA 09:50:10	"	2SA950 O or Y	"	Q3,4	} Inter-changeable	
※	iX 60:53:50	"	2SB926 R or S	"	"		
	iA 10:15:31	"	2SA1015 Y or GR	"	Q5,6	} Inter-changeable	
	iA 09:33:00	"	2SA933 Q or R	"	"		
	iC 18:15:00	"	2SC1815 Y or GR	"	Q7,8	} Inter-changeable	
	iX 60:37:20	"	2SC2458 GR	"	"		
	iC 17:40:00	"	2SC1740 R	"	"	} Inter-changeable	
	iA 10:15:31	"	2SA1015 GR	"	Q9		
	iA 09:33:00	"	2SA933 R	"	"	} Inter-changeable	
	iC 18:15:30	"	2SC1815 GR or Bl	"	Q10		
	iX 60:37:20	"	2SC2458 GR	"	"	} Inter-changeable	
	iC 17:40:00	"	2SC1740 R	"	"		
	iA 09:50:10	"	2SA950 O or Y	"	Q11		
	iF 00:00:40	Diode	IS1555	ダ イ オ ード	D1		
	UW 86:54:70	Electrolytic Cap.	0.47 μ F 50V	ケ ミ コ ン	C1		
	UW 86:64:70	"	4.7 μ F 50V	"	C2		
	UW 84:73:30	"	33 μ F 25V	"	C6		
	UW 86:71:00	"	10 μ F 50V	"	C8,9	} Inter-changeable	
	UW 85:71:00	"	10 μ F 35V	"	"		
	UW 86:61:00	"	1 μ F 50V	"	C14		
	FA 11:41:20	Mylar Cap.	0.012 μ F 50V	マ イ ラ ー コ ン	C3		
	Fi 41:41:00	Ceramic Cap.	0.01 μ F 50V	セ ラ コ ン	C5,13		
	FG 41:24:70	"	470pF 50V	"	C7		
	FG 74:42:20	"	0.022 μ F 50V	"	C10		
	FT 46:44:70	Polypropylene Cap.	0.047 μ F 50V	ポ リ プ ロ コ ン	C11		
※	HX 60:12:50	Flame Proof Carbon Resistor	1 Ω 1W	不 燃 化 カ ー ボ ン 抵 抗	R1		
	HV 45:81:00	"	100k Ω	"	R17		
※	HV 45:83:00	"	300k Ω 1/4W	"	R18		
※	HX 60:12:40	Pre-Set Potentiometer	10k Ω	半 固 定 抵 抗	VR1		

※New Parts (新規部品)

EXPLODED VIEW



MECHANISM PARTS

Ref. No.	Part No.	Description	部 品 名	Remarks	Common Model	Markets	ランク
1	AA 62:50:70	Set Plate, Arm	アーム固定金具		PF-20		
2	AA 62:51:00	Spring, Cueing Cam(B)	キューイングカム(B)スプリング		PF-30		
※ 3	AA 62:51:80	Spring, Float	BROWN フロートスプリング				
4	CB 64:43:90	Cut Rod	カットロッド		PF-30		
5	AA 62:56:70	Size Rod	サイズロッド		"		
6	AA 61:23:60	Rod Plate (A)	ロッドプレート (A)				
7	AA 62:74:40	Stopper Plate	ストッパー金具				
8	AA 61:16:80	Set Plate Transformer	トランス取付金具				
9	AA 62:67:80	Shield Case	シールドケース		PF-20		
10	BA 09:19:40	Cap, Float	SILVER フロートキャップ	Silver	PF-30		
"	BA 09:29:00	"	GOLD "	Black	"		
11	AA 62:73:70	Click Chassis	クリックシャーシ		PF-20		
※ 12	BB 07:08:30	Earth Leaf Spring (B)	アース板バネ (B)				
13	BB 07:08:50	Click Leaf Spring (B)	クリック板バネ (B)		PF-30		
14	BB 07:09:90	Shield Holder	シールド押え		"		
15	BB 07:10:00	Ground Plate	アース金具		"		
16	CB 63:74:90	Cabinet	キャビネット	Black	PF-20		
"	CB 64:02:00	"	"	Silver	"		
17	CB 63:75:10	Float Panel (B)	フロートパネル (B)	Silver	PF-30		
"	CB 64:26:50	"	"	Black	"		
18	CB 63:86:70	Lever, Change	切替えレバー		"		
19	CB 63:86:80	Lever, Control	操作レバー		"		
20	CB 63:87:00	Cueing Cam (B)	キューイングカム(B)		"		
21	CB 63:87:40	Hold Attachment	輸送固定アタッチメント		PF-20		
22	CB 63:87:50	Float Stopper	フロートヌケ止め		"		
23	CB 63:87:60	Float Rubber (A)	フロートゴム (A)		"		
24	CB 63:87:90	Lever, Cut	カットレバー		"		
25	CB 63:88:00	Lever, Play	ブレイレバー		PF-30		
26	CB 63:88:40	Elevation	エレベーション		PF-20		
27	CB 63:88:50	Lever, Cueing	キューイングレバー		"		
28	CB 64:42:80	Play Joint	ブレイジョイント		PF-30		
29	PB 06:51:80	Rest Assy	レスト Ass'y		PF-20		
30	CB 61:15:00	Return Rod	リターンロッド				
31	CB 61:15:10	Cushion Rubber	トランスクッションゴム				
32	CB 60:56:20	Plastic Rivet	プラスチックリベット				
33	EZ 00:15:20	Steel Ball	φ5 スチールボール				
34	AA 62:75:50	Back Up Wire	バックアップワイヤー				
35	CC 03:61:50	Felt, Insulator	インシュレーターフェルト				
36	AA 62:75:70	Chassis	基板シャーシ				
37	CB 63:88:20	Hub (B)	ハブ (B)				
38	CB 64:18:90	EV Bush	EVブッシュ				
39	AA 62:74:70	Spring, EV	EVスプリング				
40	PB 06:49:40	Damper	IC72-E ダンパー				
41	AA 62:74:90	Spring, Cam (A)	カムスプリング (B)				
42	AA 62:75:10	Spring, Joint	ジョイントスプリング				
43	AA 62:75:20	Spring, Reset	リセットスプリング				
44	AA 62:75:30	Play Bar	ブレイバー				
45	AA 62:75:40	Cut Pin	カッターピン				
46	CB 06:88:80	Plastic Rivet	プラスチックリベット				
47	CB 63:46:60	Cover, Screw	スクリューカバー	Silver			
"	CB 63:46:70	"	"	Black			
48	CB 64:52:40	Damper	ウレタンダンパー				
49	CB 64:52:50	" (A)	" (A)				

※New Parts (新規部品)

PF-50/P-27

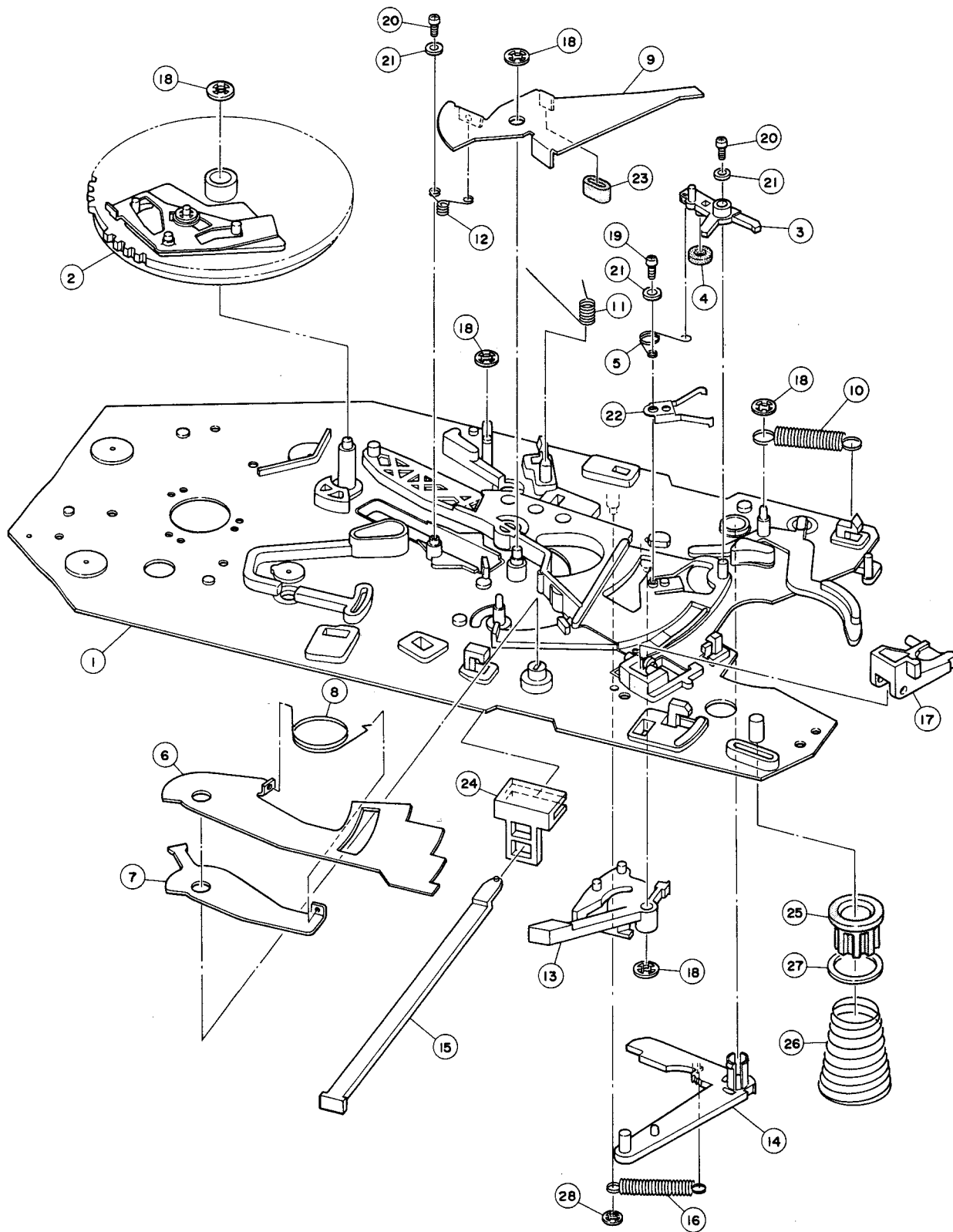
Ref. No.	Part No.	Description	部 品 名	Remarks	Common Model	Markets	ランク
50	CA:07:78:80	Barrier	バ リ ア 紙				
51	CB:64:62:20	Damper	輸 送 ダ ン パ ー				
※	52	JC:00:11:80	D.D Motor	SQ-09AA	D D モ ー タ ー	PF-50	
※	"	JC:00:11:70	"	SQ-09AB	"	P-27	
53	KA:60:06:10	Switch	K2-S	マ イ ク ロ ス イ ッ チ			
54	MG:00:21:10	Power Cord		電 源 コ ー ド		J	△
"	MG:00:21:20	"		"		R	△
"	MG:00:21:30	"		"		U,C	△
"	MG:00:21:40	"		"		B	△
"	MG:00:21:50	"		"		G	△
"	MG:00:21:60	"		"		A	△
55	Mi:09:11:10	Pin Plug Cord		ピ ン プ ル グ コ ー ド (ア ー ス 付)			
56	KA:40:17:20	Voltage Selector		電 圧 切 換 器		R	△
※	57	NA:08:72:70	Power Circuit Board		パ ワ ー シ ー ト	PF-50	
※	"	NA:08:72:80	"		"	R	
※	"	NA:08:72:90	"		"	U,C	
※	"	NA:08:73:00	"		"	G	
※	"	NA:08:73:10	"		"	A,B	
※	"	NA:08:73:40	"		P-27	J	
※	"	NA:08:73:50	"		"	R	
※	"	NA:08:73:60	"		"	U,C	
※	"	NA:08:73:70	"		"	G	
※	"	NA:08:73:80	"		"	A,B	
58	PB:06:49:20	Inlet Ass'y		イ ン レ ッ ト Ass'y		U,C	△
"	PB:06:48:90	"		"		J,R,A,G,B	△
59	PB:06:49:00	PU Circuit Board		P U シ ー ト			
60	PB:06:49:30	IFC Ass'y		I F C Ass'y			
61	NB:62:30:70	Dust Cover Ass'y		上 蓋 Ass'y			
61-1	CB:61:19:20	Cushion Rubber		ク ッ シ ョ ン ゴ ム			
62	NB:60:67:40	Revolution Arm(A) Ass'y		回 転 ア ー ム (A) Ass'y		P-500	
62-1	AA:61:20:80	Spring, Revolution Arm(A)		回 転 ア ー ム (A) ス プ リ ン グ			
62-2	CB:61:18:40	Holder Cam		ホ ル ダ ー カ ム			
62-3	CB:61:21:90	Arm Brake		ア ー ム ブ レ ー キ			
62-4	EV:98:00:20	Washer		波 型 座 金			
62-5	EV:52:26:00	Stop Ring	φ6	C S 型 止 め 輪			
※	64	NB:62:60:00	Switch Panel(B) Ass'y		ス イ ッ チ パ ネ ル (B) Ass'y	Black PE-50	
※	"	NB:62:60:10	"		"	Silver "	
※	"	NB:62:60:40	"		"	Black P-27	
※	"	NB:62:60:50	"		"	Silver "	
64-1	CB:64:52:60	Damper (B)		ウ レ タ ン ダ ン パ ー (B)			
65	NB:62:80:10	Platter Sheet Ass'y		T.T シ ー ト Ass'y		PF-20	
66	NB:62:85:00	Cueing Cam (B)		キューイングカム Ass'y			
66-1	EV:52:02:00	Stop Ring	φ2 CS-Type	C S 止 め 輪			
69	CB:64:52:20	Spacer		ス ペ ー サ ー			
70	CB:64:52:30	"		"			
71	SS:06:04:30	Tone Arm Unit	YA-49	ト ー ン ア ー ム ユ ニ ッ ト		PF-20	
71-1	XX:60:04:30	Knob, Head Lock		ヘ ッ ド ロ ッ ク ツ マ ミ			
71-2	NX:60:02:20	Wight Ass'y		ウ ェ イ ト Ass'y			
72	PB:06:24:00	Hinge Ass'y		オ ー ト ヒ ン ジ		J,G,B	
"	PB:06:24:90	"		"		R,U,A,C	
73	EO:03:01:06	Flat Head Tapping Screw	3×10 ZMC2-Y	皿 タ ッ プ イ ン グ ネ ジ	PACK		
74	Ei:03:01:06	Binding Head Tapping Screw	3×10 ZMC2-Y	バ イ ン ド タ ッ プ イ ン グ ネ ジ	PACK		
75	EV:52:33:00	Stop Ring	φ3 CS-Type	C S 止 め 輪			

※New Parts (新規部品)

Ref. No.	Part No.	Description	部 品 名	Remarks	Common Model	Markets	ランク
	CB:06:92:50	Binding Tie		インシュロックタイ			
	CB:60:35:90	Tie	L=100	ビニタイ			
		Accessories		付 属 品	PF-50		
	NB:62:80:00	Record Clamp		レコードクランパー			
	CB:61:18:70	Overhang Gauge		オーバーハングゲージ			
	PB:06:23:70	Head Shell Ass'y		ヘッドシェルAss'y			
	PB:06:28:50	Fixing Screw Ass'y		カートリッジ止めネジAss'y			
	PB:06:43:00	P-mount Head Shell Ass'y		PマウントシェルAss'y		U,G,B	
	PX:60:01:40	Cartridge	CG-7700	カ ー ト リ ッ ジ		R,C,G,A,B	
	SQ:06:04:60	"	MC705	"		J	
		Accessories		付 属 品	P-27		
	PB:06:23:70	Head Shell Ass'y		ヘッドシェルAss'y			
	PB:06:28:50	Fixing Screw Ass'y		カートリッジ止めネジAss'y			
	CB:61:27:80	EP Adapter		E P ア ダ プ タ ー			
	PX:60:01:40	Cartridge	CG-7700	カ ー ト リ ッ ジ		R,U,C,A,G,B	
	SQ:06:04:60	"	MC705	"		J	

*New Parts (新規部品)

■ EXPLODED VIEW(Full Auto Mechanism)



PF-50/P-27

YAMAHA

PF-50/P-27
